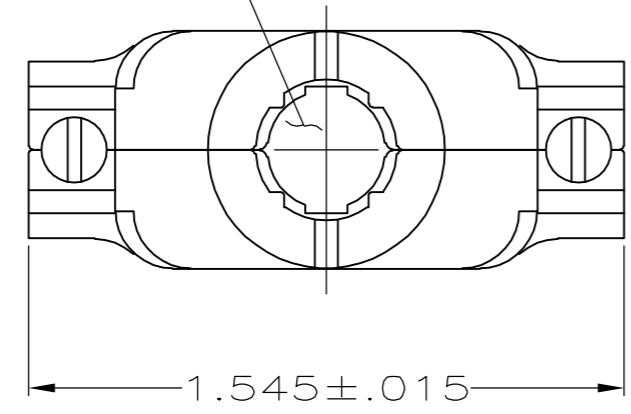


THIS DRAWING IS UNPUBLISHED. RELEASED FOR PUBLICATION  
 © COPYRIGHT BY TYCO ELECTRONICS CORPORATION. ALL RIGHTS RESERVED.

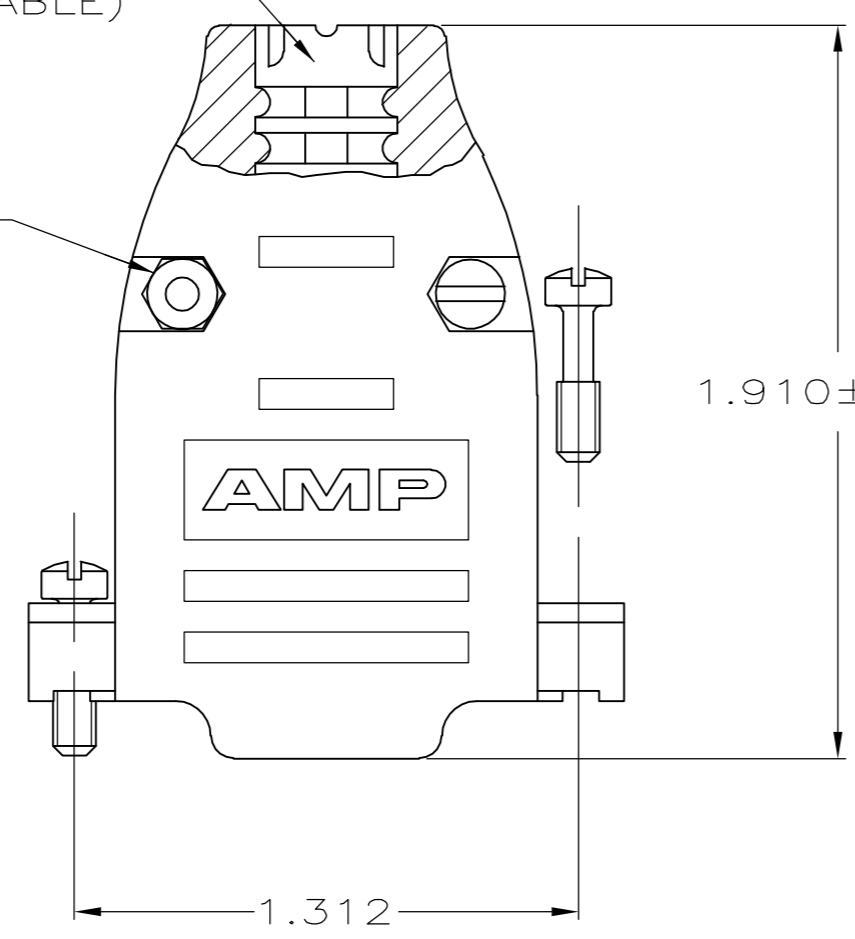
LOC	DIST	REVISIONS			
P	LTR	DESCRIPTION	DATE	DWN	APVD
GP	00	0	RELEASED PER EC 0S13-0226-05	8-15-05	D.H. J.G.

OPENING FOR CABLE  
 (SEE DASH NO FOR DIA)



SIZE IDENTIFICATION  
 LETTER MOLDED HERE  
 (SEE TABLE)

#4-40 FILLISTER HEAD  
 STEEL SCREW  
 & HEX NUT  
 2 REQD.  
 3



.620 ± .015

.620 ± .015

CABLE CLAMP  
 MATERIAL: FLAME RETARDANT THERMOPLASTIC  
 FINISH: BRIGHT NICKEL OVER BRIGHT COPPER

#4-40 FILLISTER HEAD SCREW  
 STEEL  
 2 REQD.  
 3

1. ALL PARTS PACKAGED UNASSEMBLED.
2. THIS KIT CONSISTS OF 2 STRAIN RELIEF HALVES, 2 #4-40 SCREWS, 2 #4-40 NUTS & 2 #4-40 MOUNTING SCREWS.

3 ZINC PLATED .000200-.000400 THICK,  
 CLEAR CHROMATE COATING.

**COPYRIGHT 2005  
 TYCO ELECTRONICS CORP  
 ALL RIGHTS RESERVED**

SIZE	CAGE CODE	DRAWING NO	RESTRICTED TO
B	.225	5747099-7	
E	.300	5747099-5	
H	.375	5747099-3	
K	.430	5747099-1	
SIZE IDENT LETTER	CABLE DIA	PART NO.	

THIS DRAWING IS A CONTROLLED DOCUMENT.		DWN D. HENNY 8-15-05	Tyco Electronics Corporation Harrisburg, Pa 17105-3608
DIMENSIONS: INCHES	TOLERANCES UNLESS OTHERWISE SPECIFIED:	CHK C. ROHDE 8-15-05	
	0 PLC ± -	APVD M. WALMSLEY 8-15-05	NAME CABLE CLAMP KIT, SIZE 2, 15 POSITION, 180', AMPLIMITE SERIES, PLATED PLASTIC
	1 PLC ± -	PRODUCT SPEC	
MATERIAL SEE CALLOUTS	FINISH SEE CALLOUTS	APPLICATION SPEC	SIZE A2
		WEIGHT -	CAGE CODE 00779
		CUSTOMER DRAWING	DRAWING NO C=5747099
			SCALE 1:1
			SHEET 1 OF 1
			REV 0